

GT4.2

NEW GENERATION RC CAR

ONROAD NITRO GT
1/8 SCALE 4WD



INSTRUCTION MANUAL

WIRC
PROFESSIONAL RC CAR

WWW.WIRCRACING.COM



INTRODUCTION

GT4 is a new generation high quality 1/8 scale GT nitro car.
GT4 is supplied in a box, you can download the Instruction manual from www.wircracing.com
Its use is intended for more than 16 years old persons with experience on rc model car field.
Children and all the persons without this requirement MUST have direct supervision of a knowledgeable adult responsible.

SAFETY PRECAUTIONS

Instruction Manual MUST be read and fully understood before to start building and operating functions.
Always keep Instruction Manual in safety place, ready to be consulted for any reference you need.
Use only original WIRC spare parts.

GENERAL INFORMATION

Assemble the kit only away from the reach of children.
Follow the building and operating instructions using the utmost care.
Don't put any part of your body inside rotating and moving elements as this may cause damage or serious injury.
Check and clean the model before putting it away.
Don't use your model car in public places or in roads and areas where it could generate conflict with person or vehicular traffic.
The model car is controlled by radio: you MUST put great care to avoid loss of radio control always keeping a safety margin all around your model in order to prevent any collision.
Operating frequency: check and be sure it is clear and not shared with anybody at same time; it could cause loss of control of the RC model.
Always turn on your transmitter before you turn on the receiver in the car and always turn off the receiver before you turn off your transmitter.
Keep the wheels of the model off the ground when checking the operation of the radio equipment.
Disconnect the battery pack before storing your model.

WARRANTY

WIRC guarantees this model kit to be free from defects in both material and workmanship within 30 days of purchase.
The total monetary value under warranty will in no case exceed the cost of the original kit purchased.
This warranty doesn't cover any components damaged by use or modification or as result of wear.
Part or parts missing from this kit must be reported within 30 days of purchase.
No part or parts will be sent under warranty without proof of purchase.
If you find a defective or missing part, contact the local distributor.
Customer service and support will be provided through local hobby store.
No warranties are expressed or implied that cover damage caused by what is considered normal use or cover or imply how long any model cars' components or electric components will last before requiring replacement.
Due to the high performance level of this model car you will need to periodically maintain and replace consumable components; any and all warranty coverage will not cover replacement of any part or component damaged by neglect, abuse or improper or unreasonable use.
This includes but is not limited to damage from crashing, excessive moisture, improper use or no maintenance or user modifications which compromise the integrity of components.
Warranty will not cover components that are considered consumable on RC model car.
WIRC doesn't pay nor refund on any component sent from WIRC or its distributor for warranty.
WIRC reserves the right to make final determination of the warranty status of any component or part
Use only original WIRC spare parts.

CUSTOMER SUPPORT

Please don't hesitate to contact WIRC support at info@wircracing.com for any problem or question.
Also kindly visit our website www.wircracing.com to find last updates, set-up, option parts and other informations.

World racing car s.r.l.

Via A. Volta 2 Bis
36040 Brendola (VI)
ITALY

Phone: 0039 0444 1792263
E-mail: sales@wircracing.com
Website: www.wircracing.com



GT4

TECHNICAL INFORMATION

- BRAKE: Laser cut brake disk with Ferodo brake pad
- WHEELS LOCK: Lightweight 17 mm 7075 T6 Nut
- CHASSIS: 4.0 mm Swiss 7075 T6 aluminium
- RADIO PLATE: Composite Material
- DRIVETRAIN TYPE: Spring steel CVD Driveshafts
- FRONT DIFFERENTIAL: Differential Gear
- REAR DIFFERENTIAL: Differential Gear
- SUSPENSION: Pivot ball suspension
- RIDE HEIGHT: Adjustable Front & Rear
- CAMBER: Adjustable Front & Rear
- CASTER: Adjustable Front
- TOE: Adjustable Front & Rear
- ROLL CENTER: Adjustable Front & Rear
- ACKERMANN: Adjustable Front
- ANTI-ROLL BARS: Adjustable Front & Rear

TECHNICAL DATA

- WIDTH310 mm
- WHEEL BASEadjustable 315-320 mm
- WEIGHT READY TO RUN3500g
- FUEL TANK.....150cc
- TWO SPEED GEAR BOX
- 4 SHOES EXPANSION CLUTH

ADDITIONAL ITEMS NEEDED FOR COMPLETION (REQUIRED BUT NOT INCLUDED IN THE KIT)



ENGINE AND MUFFLER



TRANSMITTER



RECEIVER



2 LOW PROFILE STEERING SERVO



BATTERIES FOR TRANSMITTER AND RECEIVER



WHEEL - TYRES - INSERTS



FUEL AND FUEL PUMP



STARTER GLOW PLUG IGNITER



STARTER

TOOLS REQUIRED

THESE TOOLS ARE NOT INCLUDED IN THE KIT BUT ARE REQUIRED FOR PROPER ASSEMBLY



ALLENS:
1.5 mm
2 mm
2.5 mm
3 mm



SOCKET
5mm



SIDE CUTTERS



COMBINATION PLIERS



TOOL FOR
TURNBUCKLES/NUTS



WHEEL NUT TOOL
17mm



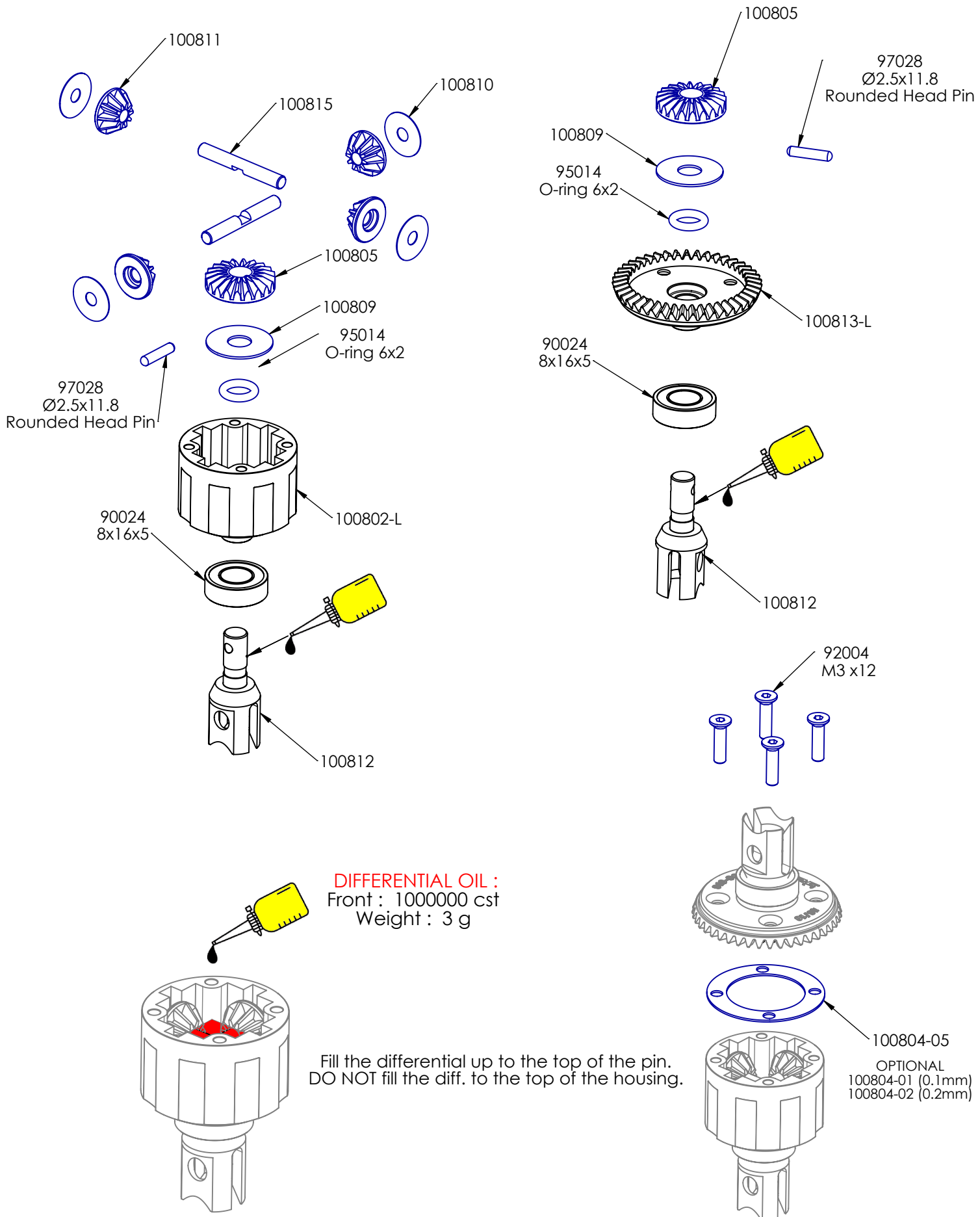
GREASE

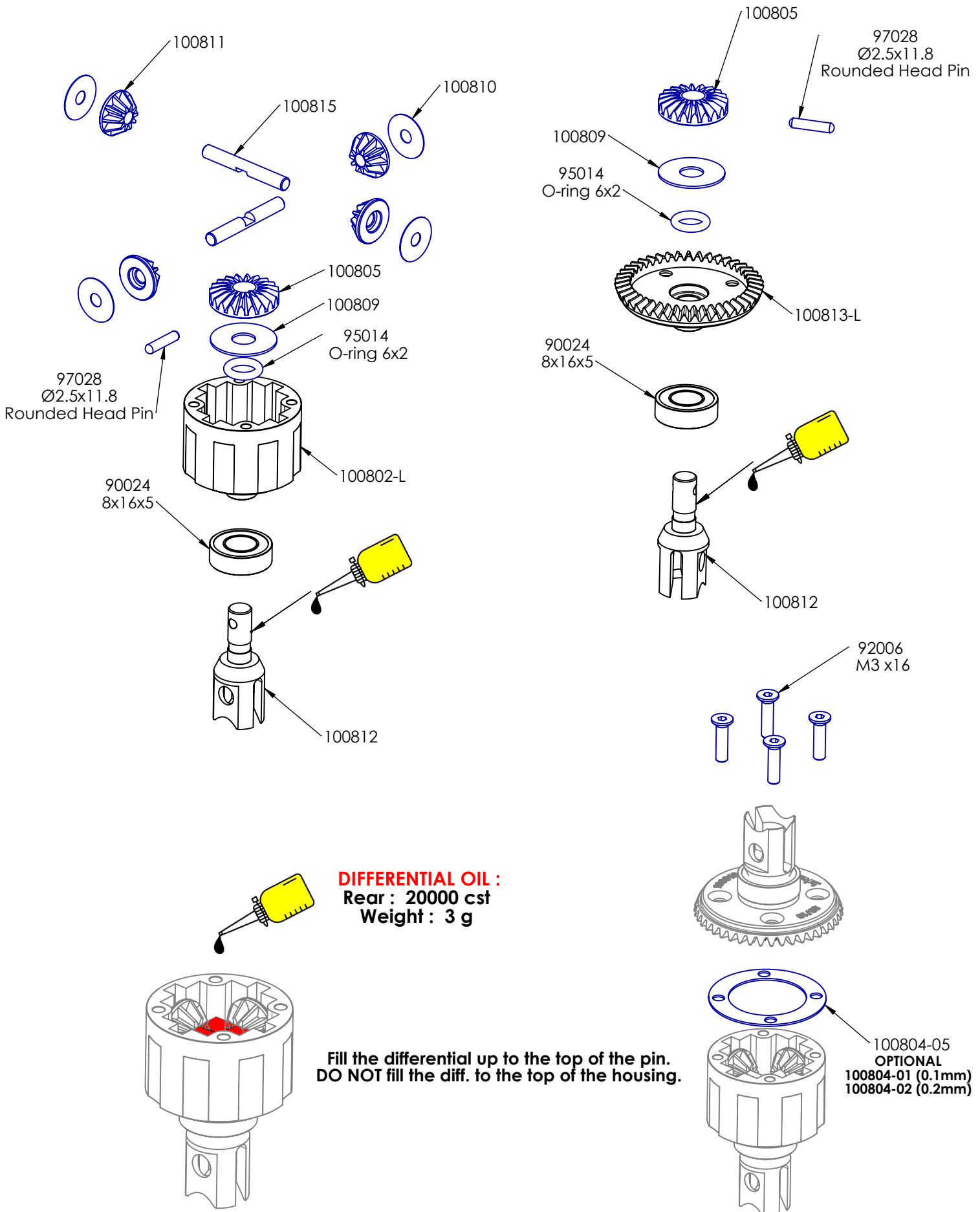


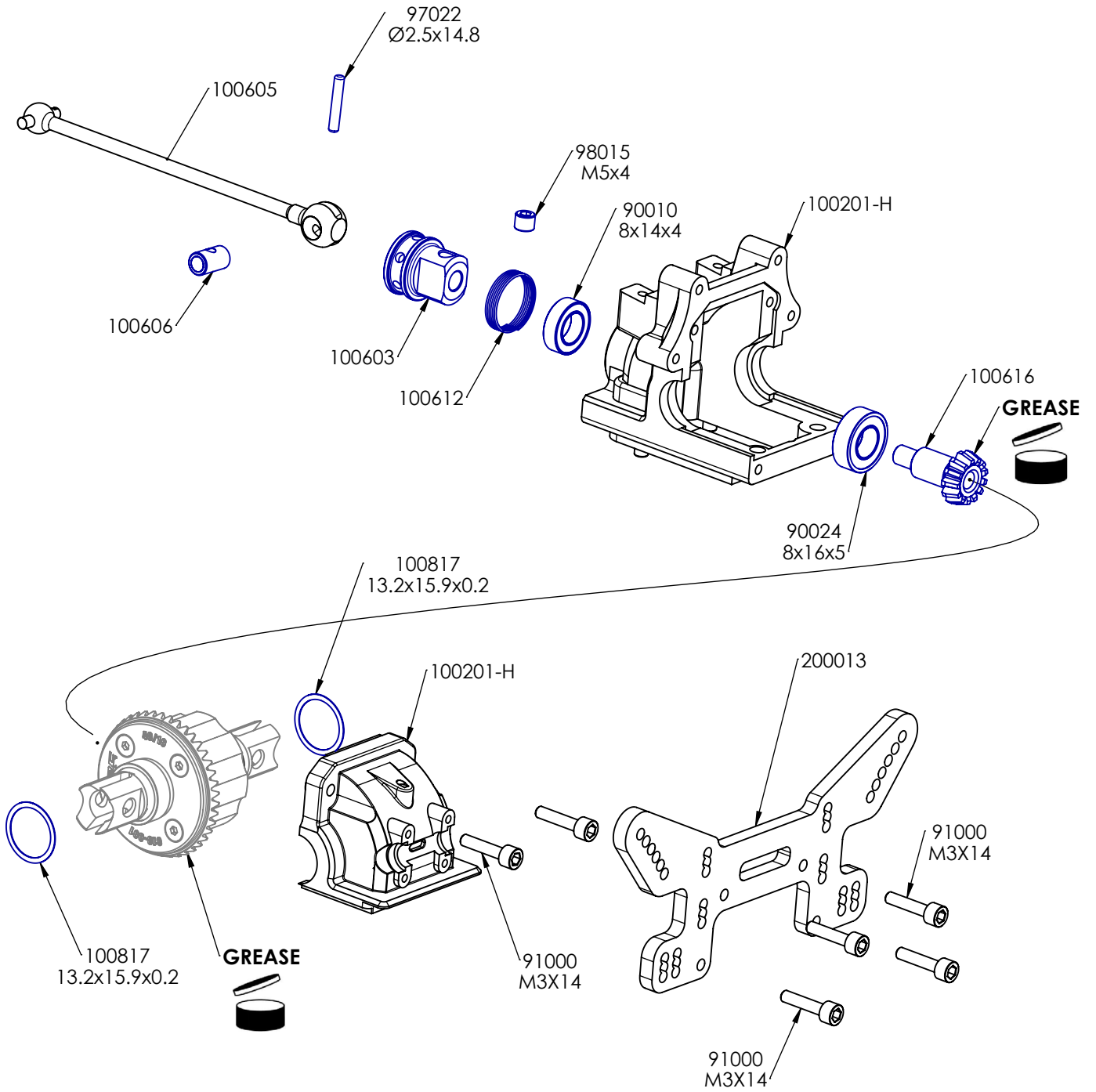
OILS:
5000 CST
BEARING OIL

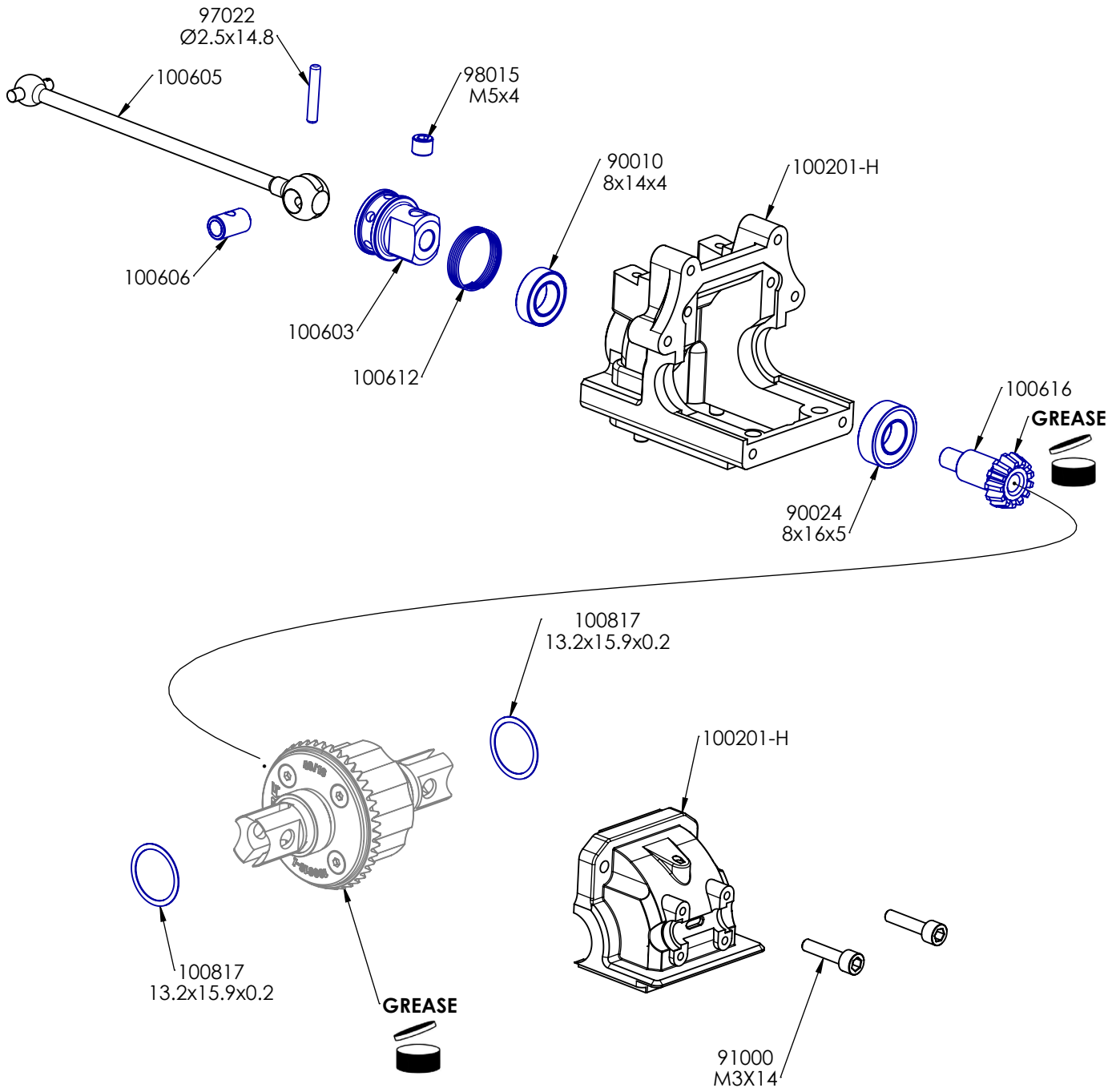
NOTICE:

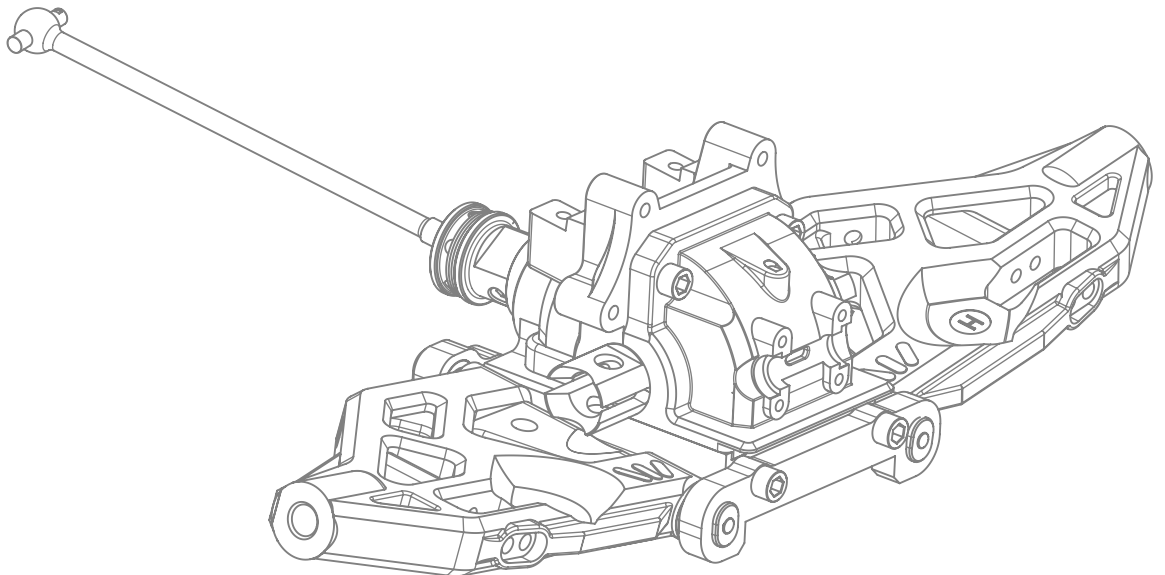
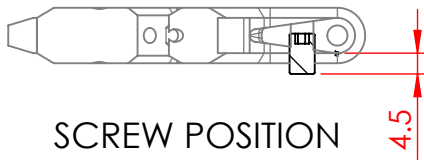
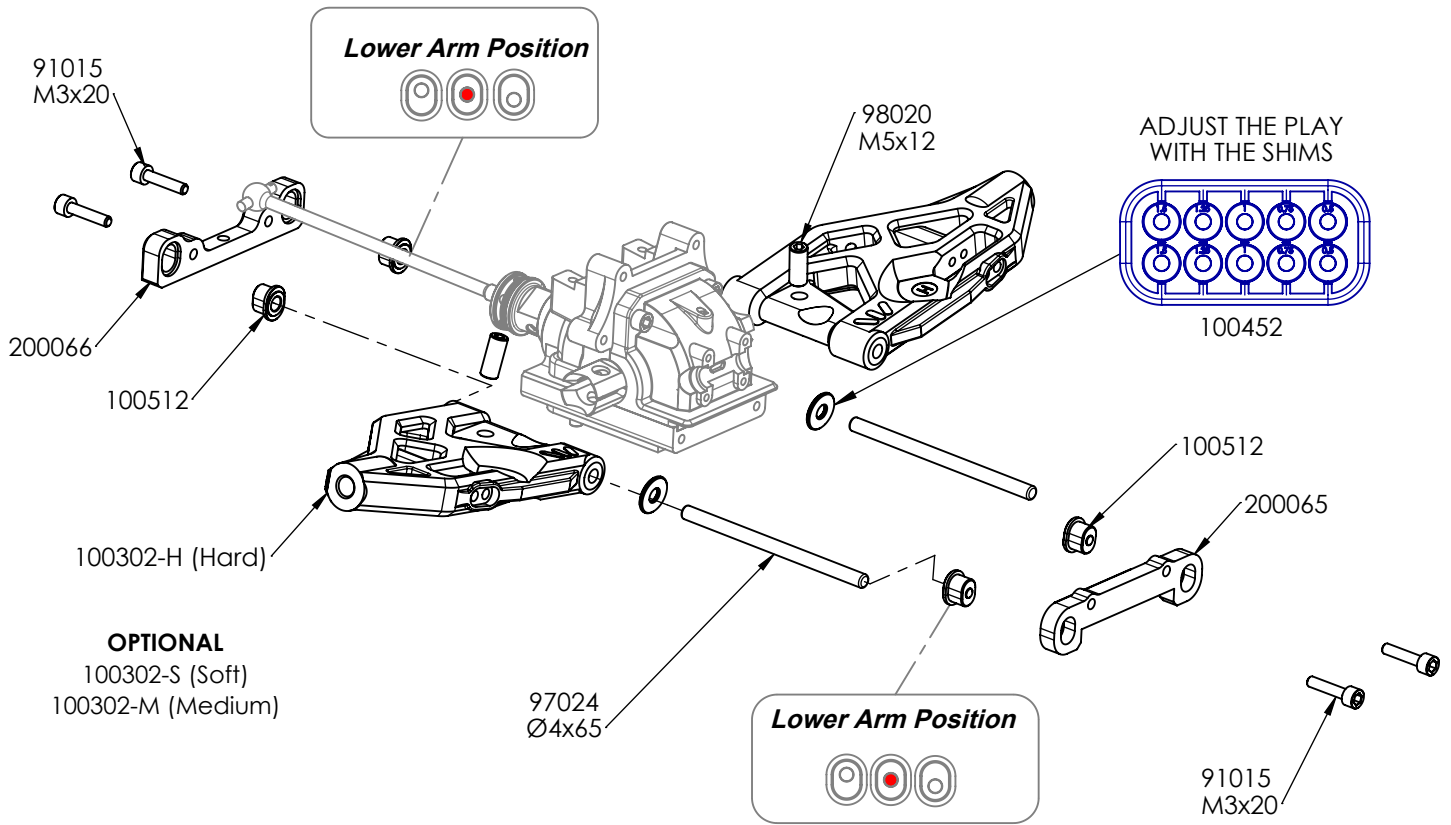
THE FOLLOWING ITEMS ARE NEEDED FOR COMPLETION OF THE GT4; THEY ARE NOT INCLUDED IN THIS KIT (UNLESS NOTED) AND SHOULD BE OBTAINED FROM YOUR LOCAL HOBBY SHOP. BE SURE TO READ THE INSTRUCTION COMPLETELY PRIOR TO ASSEMBLY











BAG 6

91014-DX

UN0002

03069-3

98000
M3x3

91014-DX

03069-3

UN0002

100116

100517.28

98000
M3x3

100203

03034

90007
5x8x2.5

93037
M2.5 x 8

03080

03080

97016
Ø2x12

93002
M3 x8

100704

100420

100512

100514

93004
M3 x12

100300-H (Hard)
OPTIONAL
100300-M (Medium)
100300-S (Soft)

200012-3

91000
M3X14

100512

200012-1

91000
M3X14

Upper Arm Position



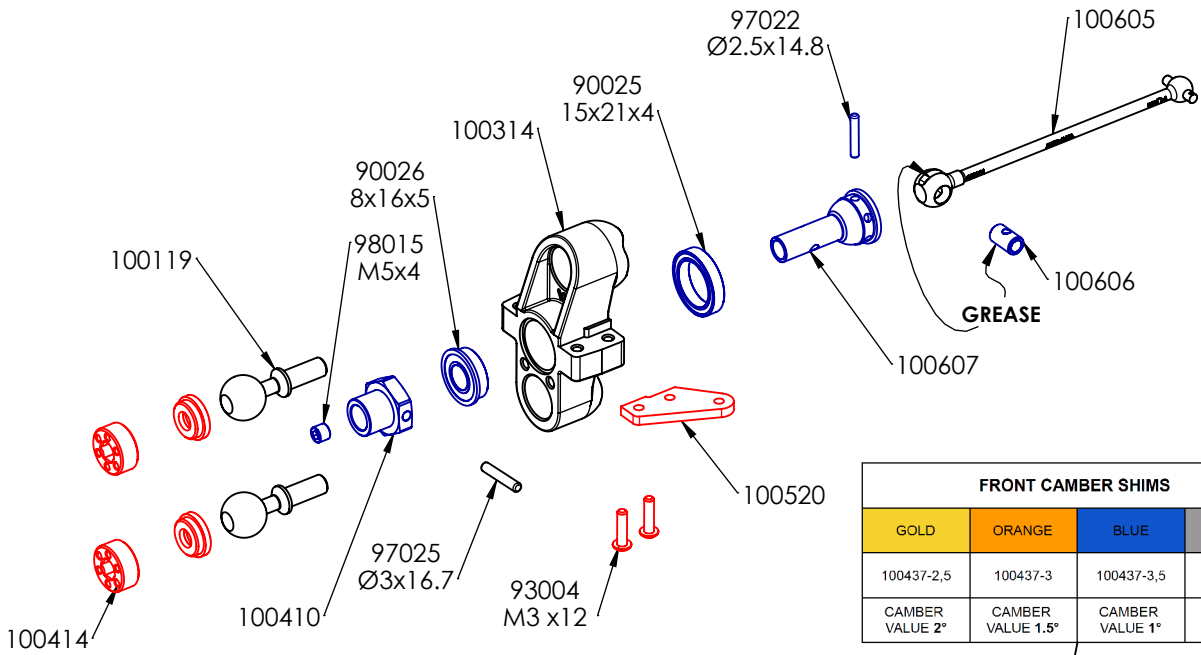
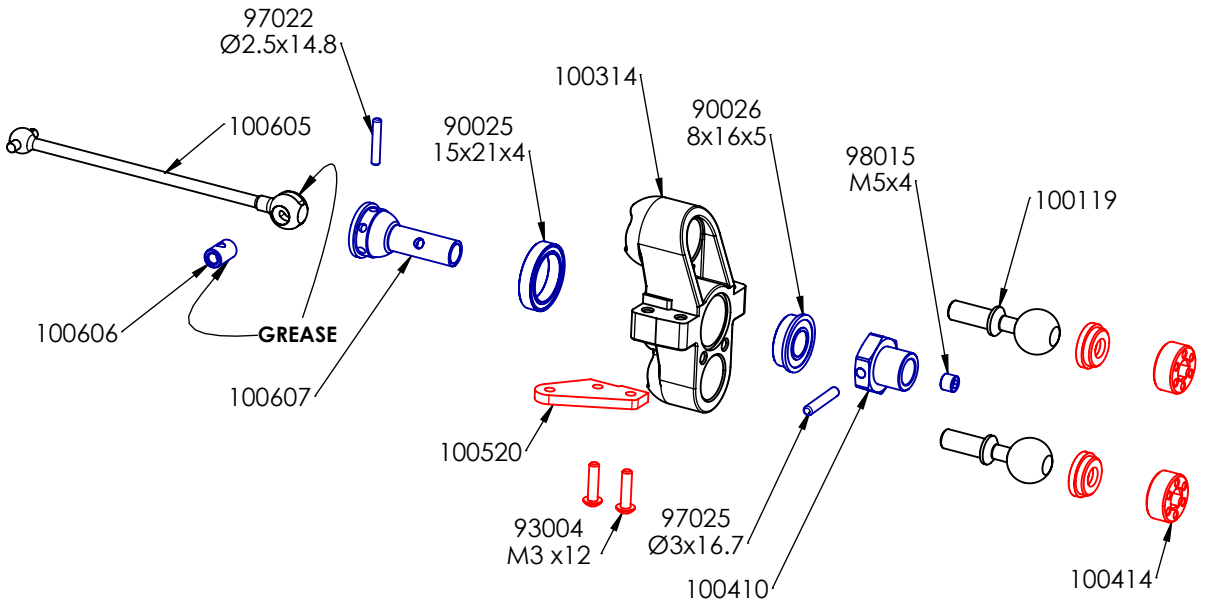
Upper Arm Position



97029
Ø4x50

100300

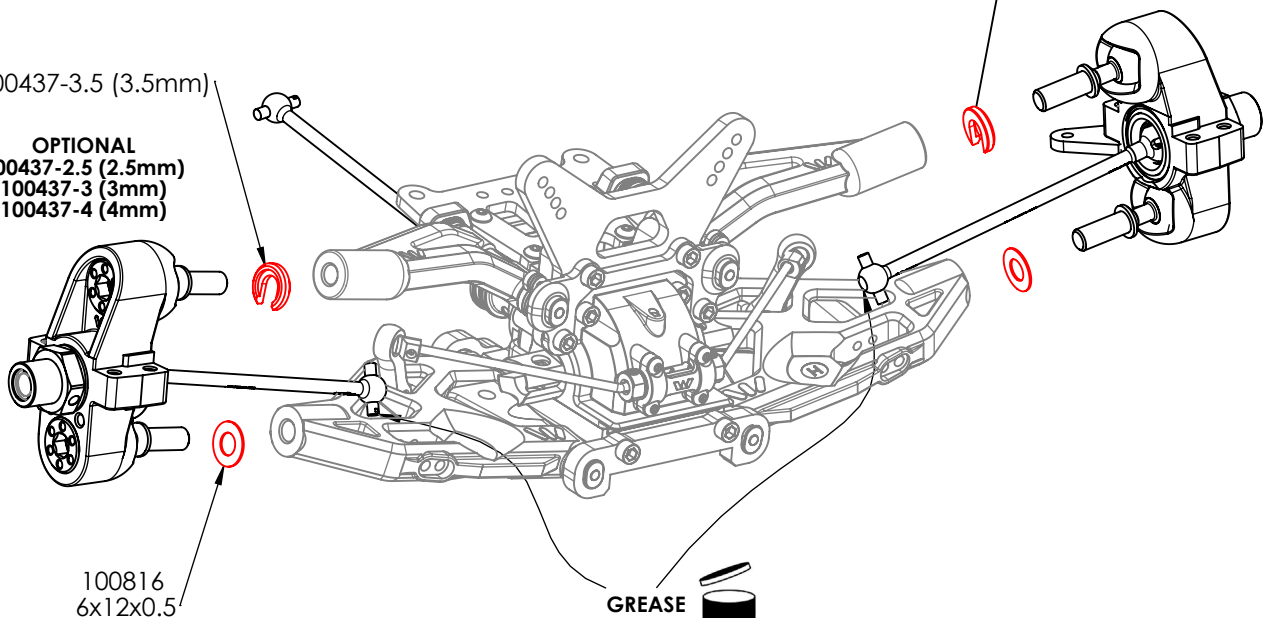
100452

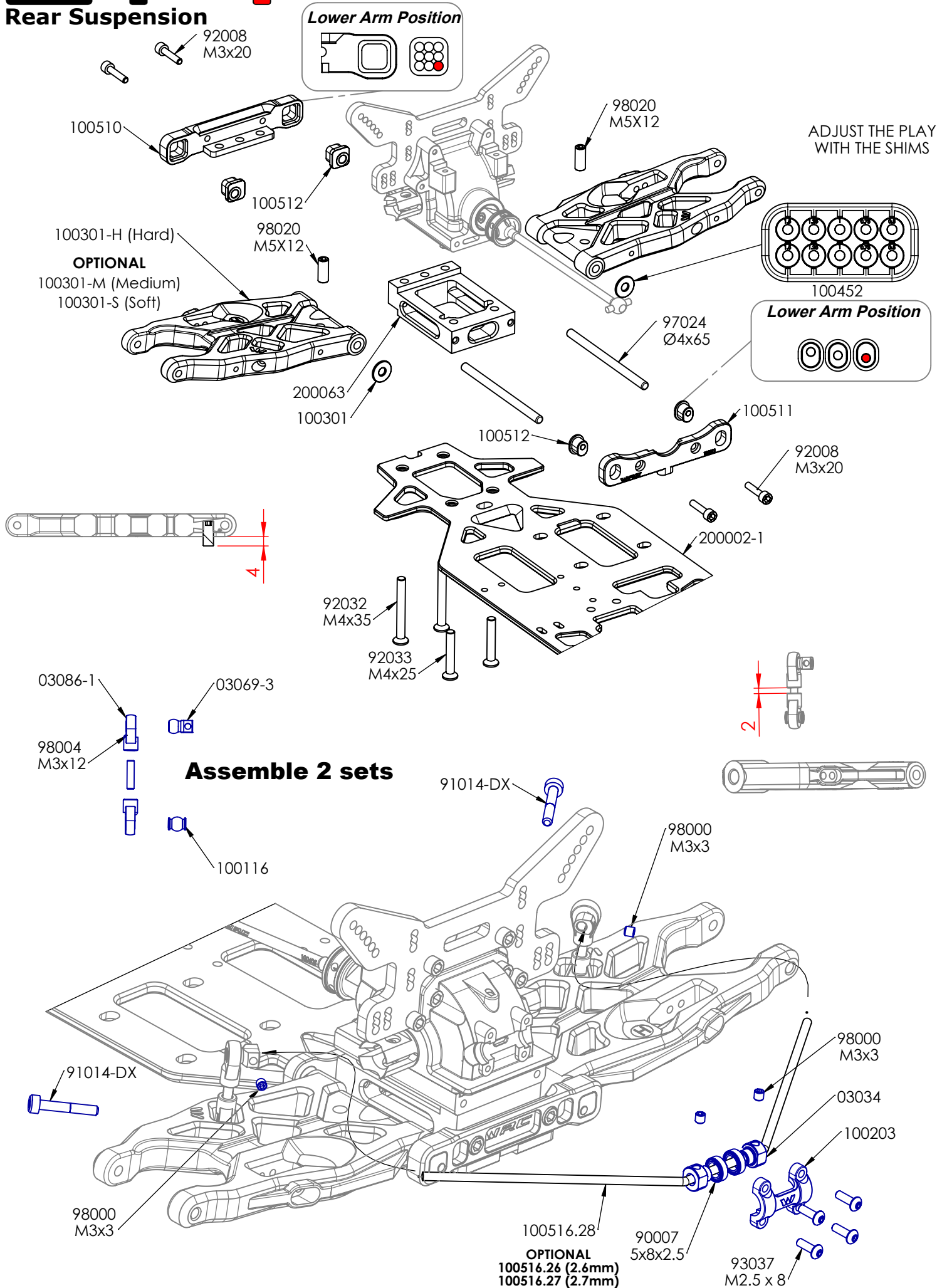


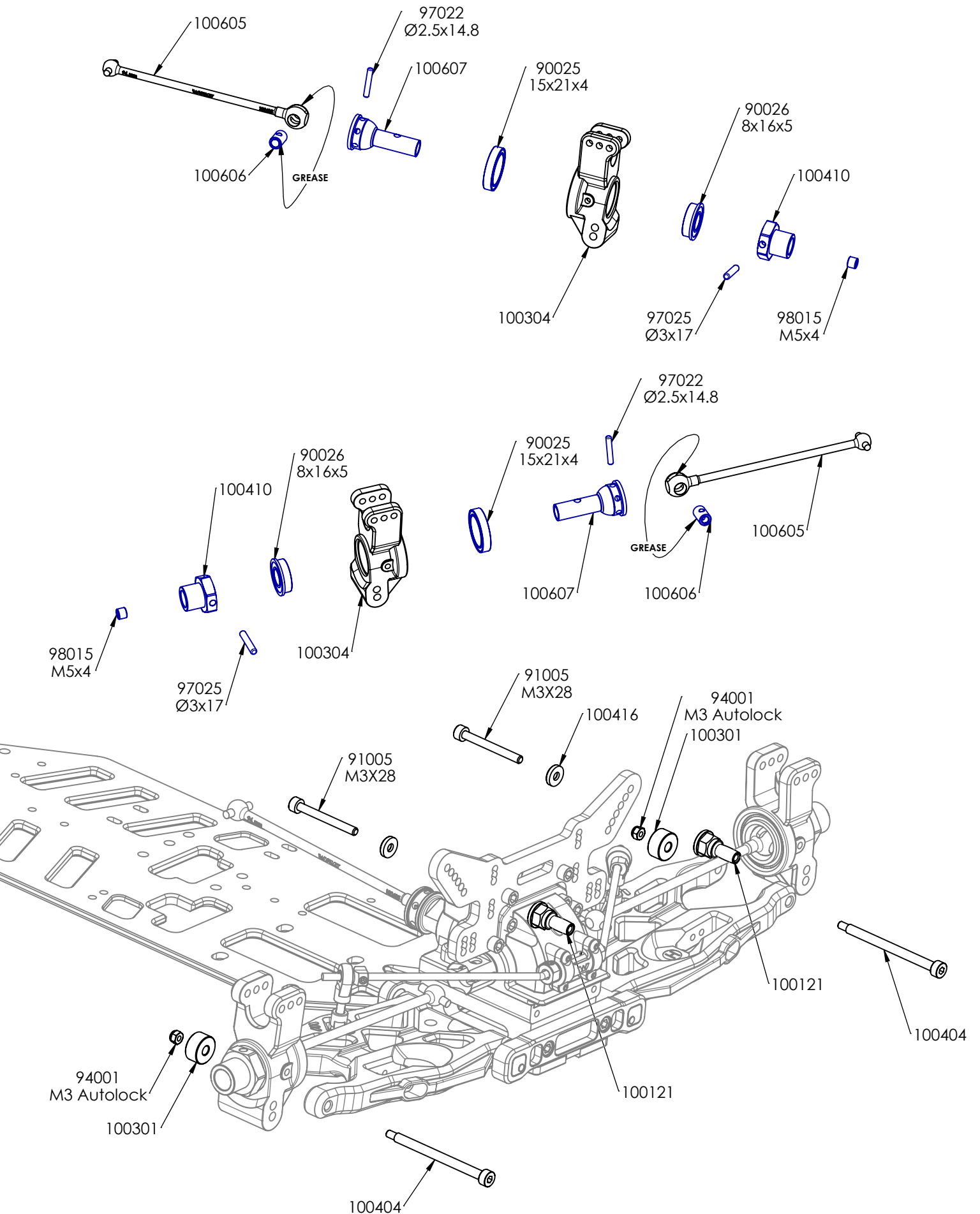
FRONT CAMBER SHIMS			
GOLD	ORANGE	BLUE	GREY
100437-2,5	100437-3	100437-3,5	100437-4
CAMBER VALUE 2°	CAMBER VALUE 1.5°	CAMBER VALUE 1°	CAMBER VALUE 0.5°

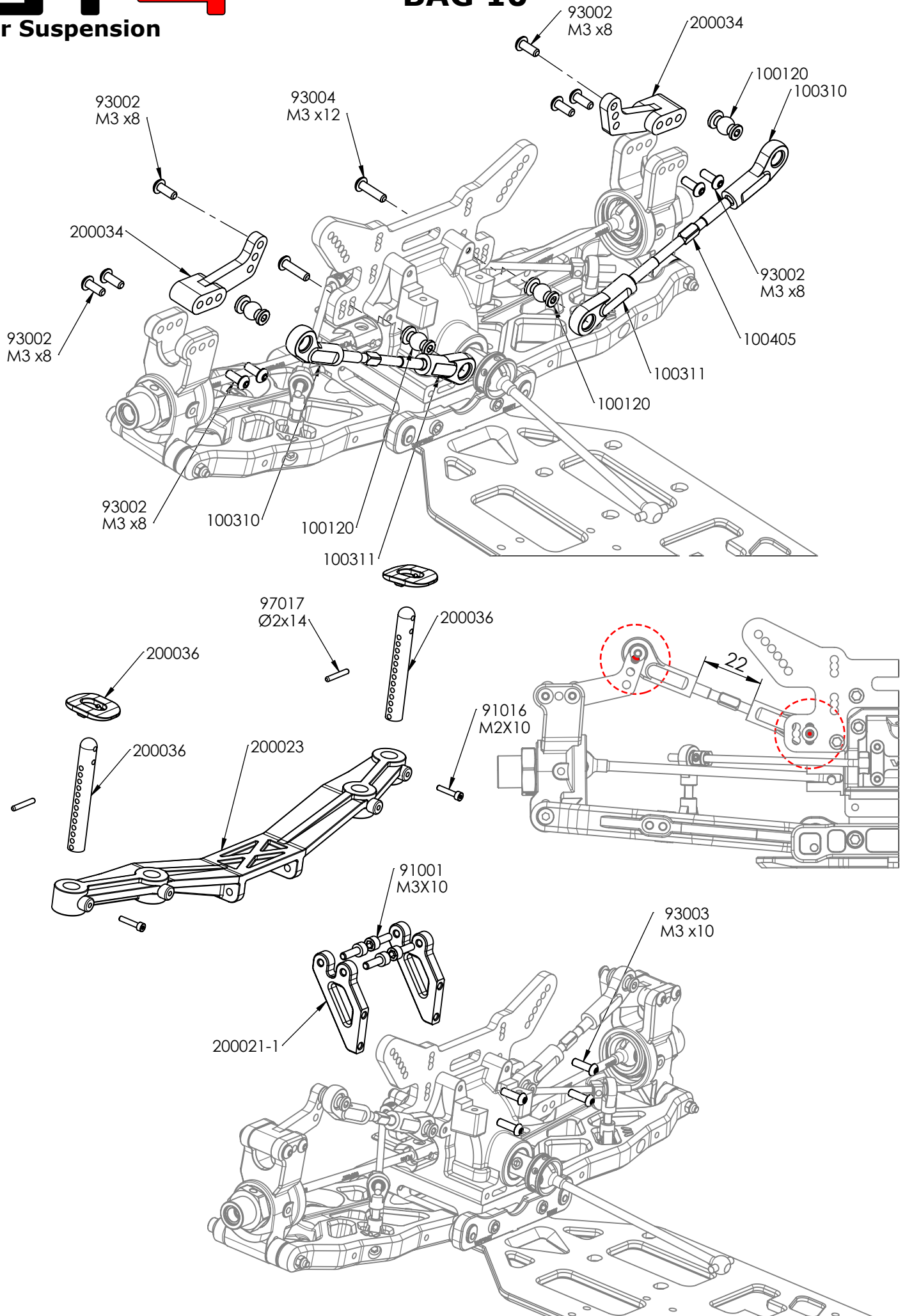
100437-3.5 (3.5mm)

OPTIONAL
100437-2.5 (2.5mm)
100437-3 (3mm)
100437-4 (4mm)

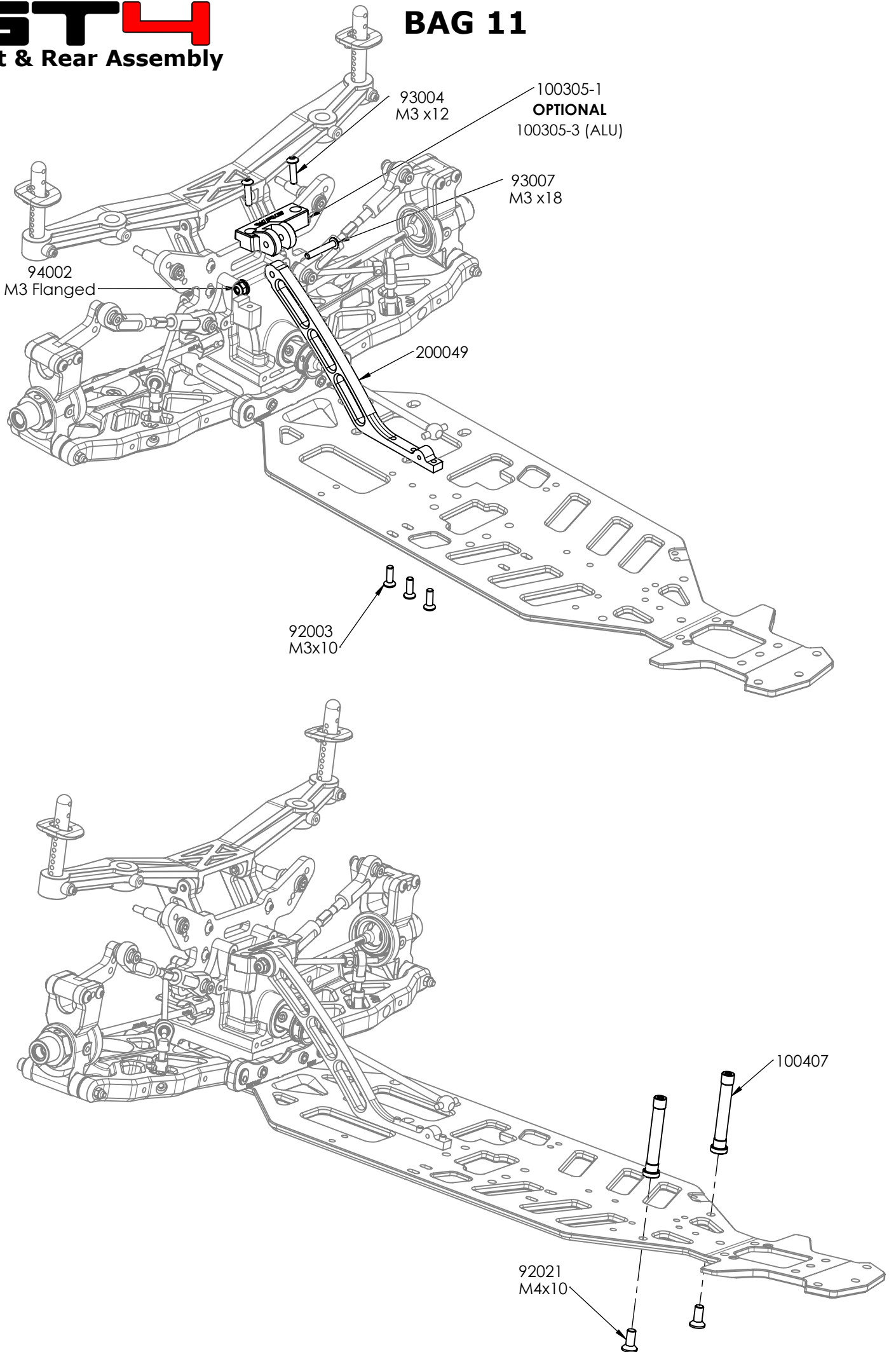




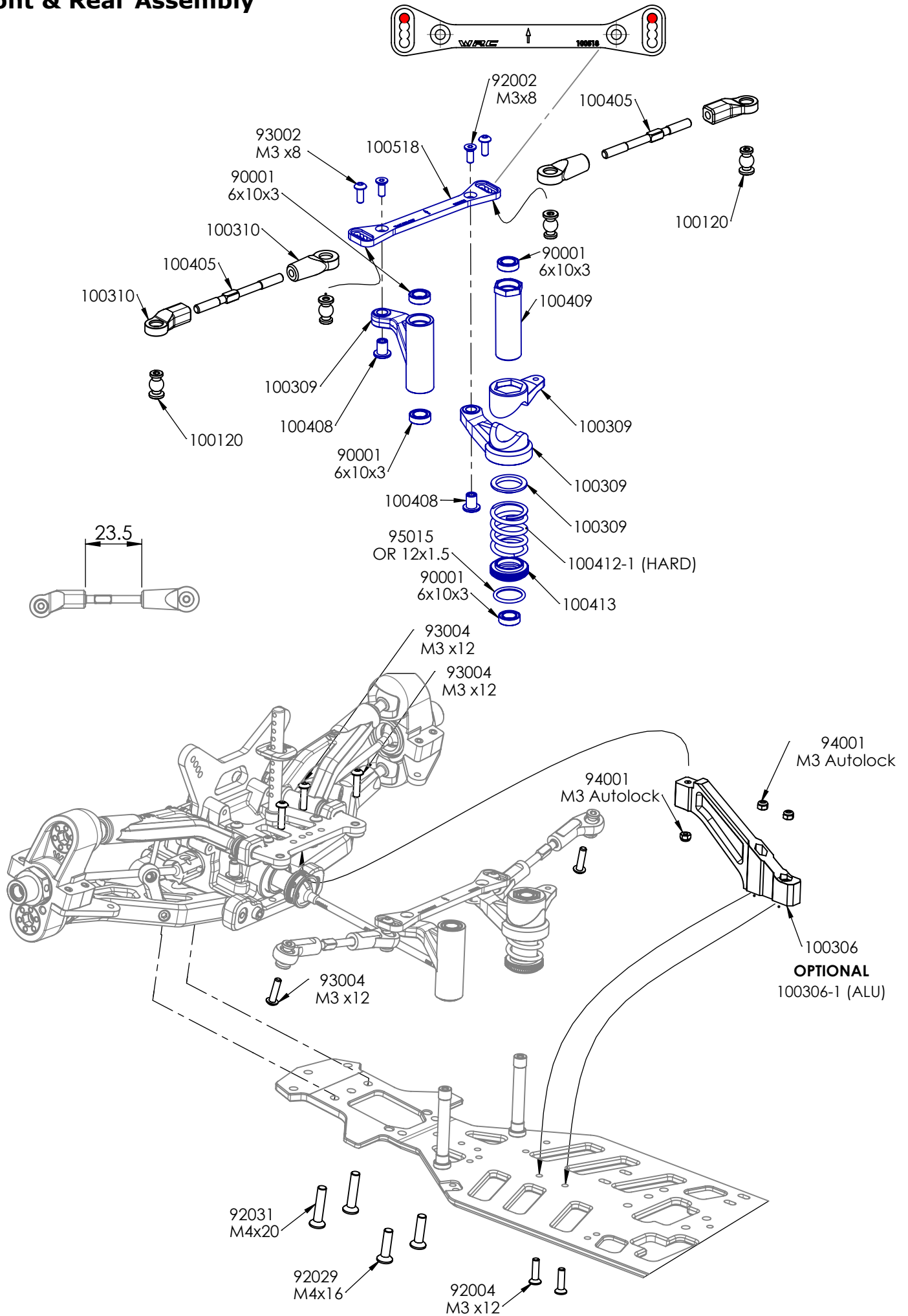


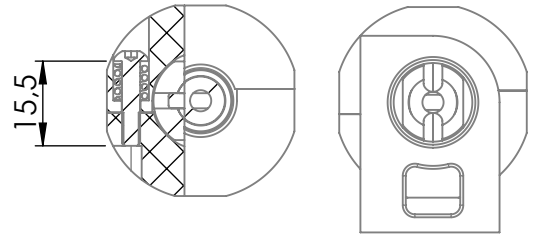
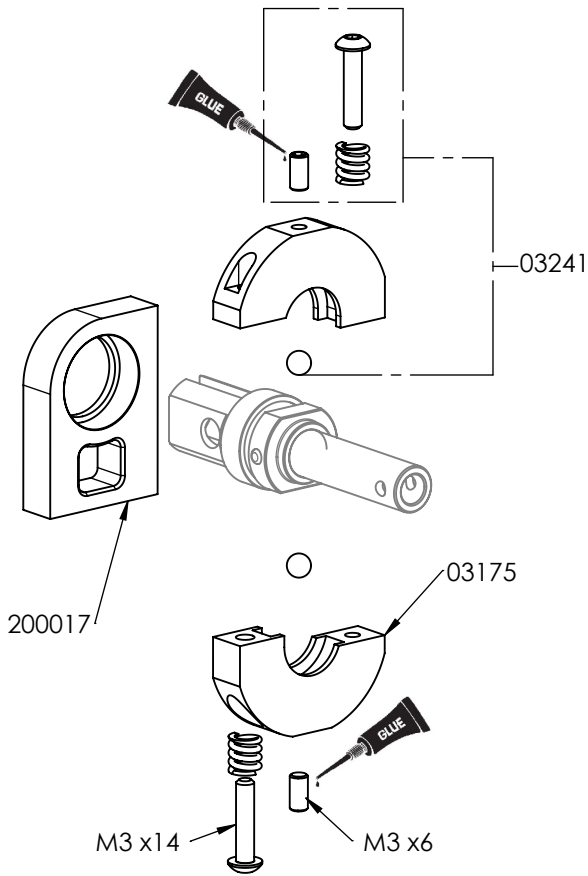
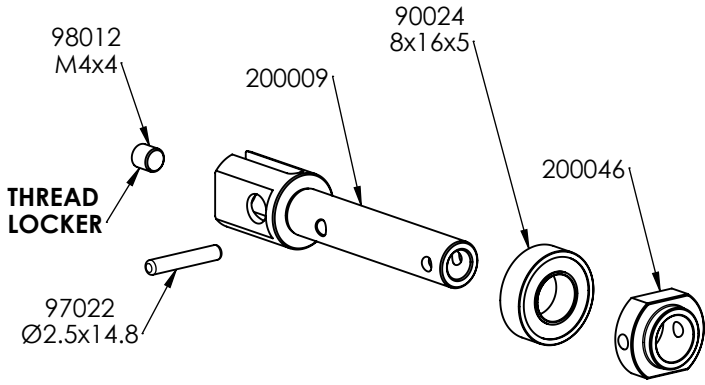


BAG 11

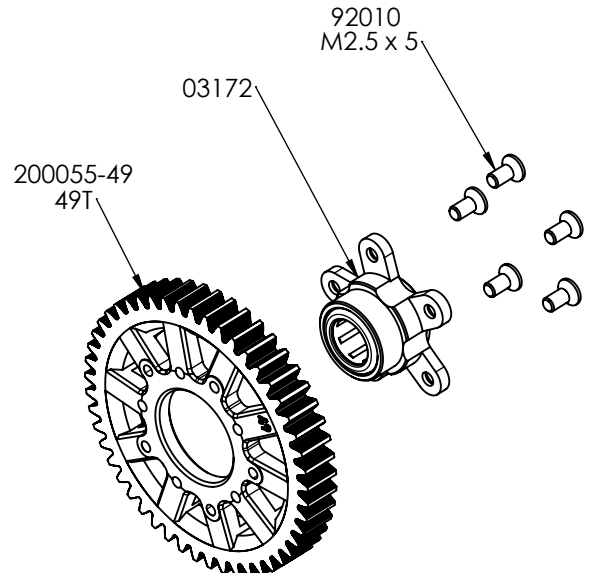
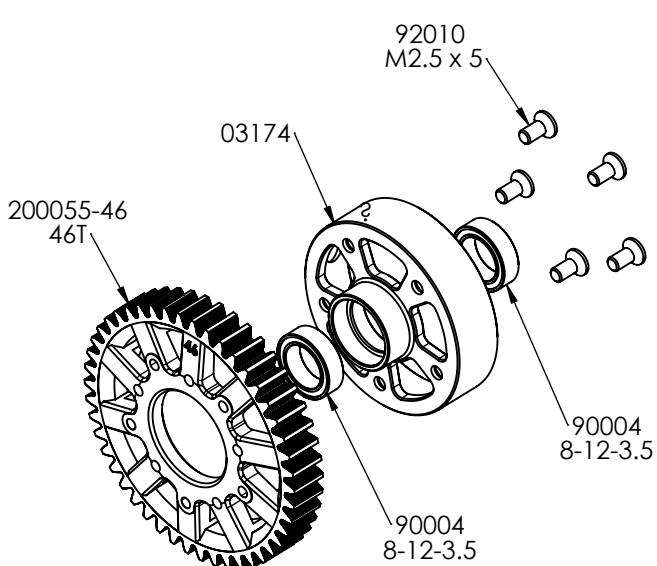


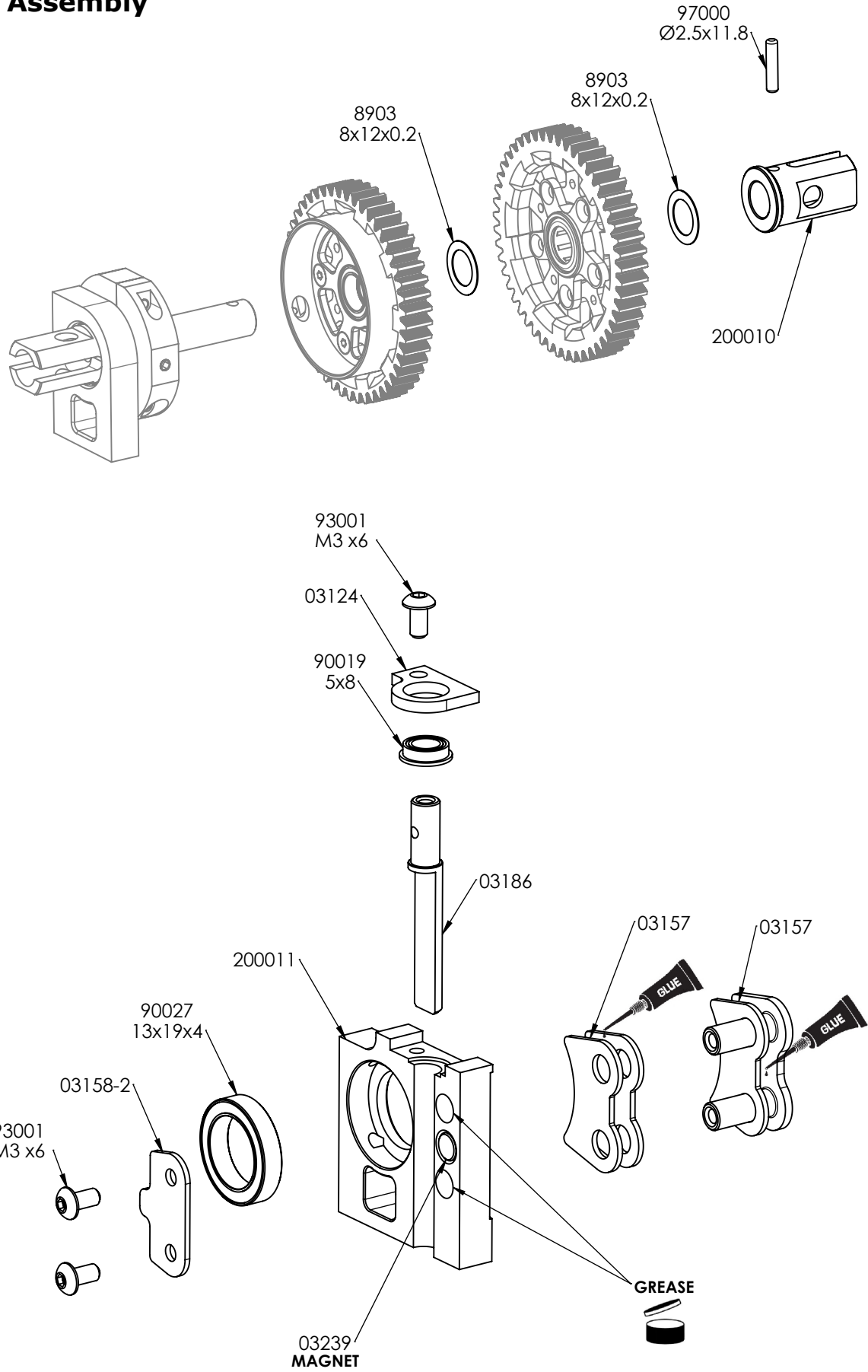
BAG 11

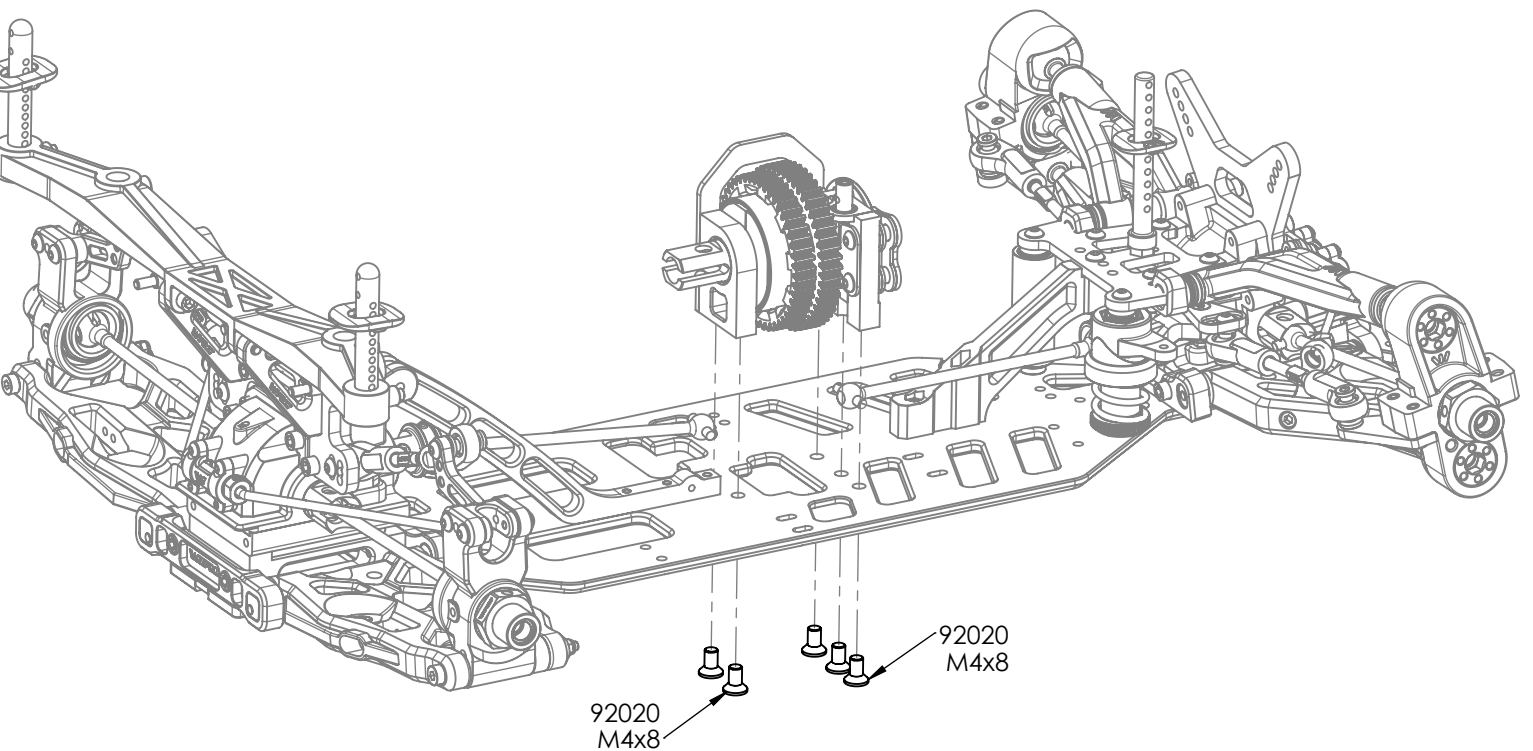
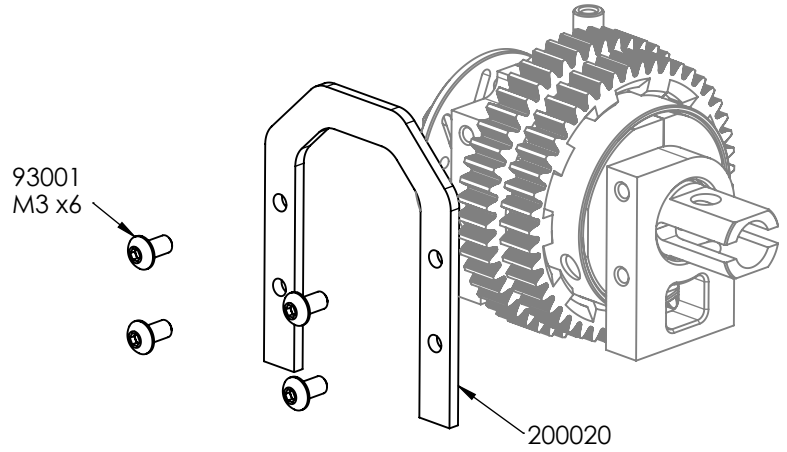
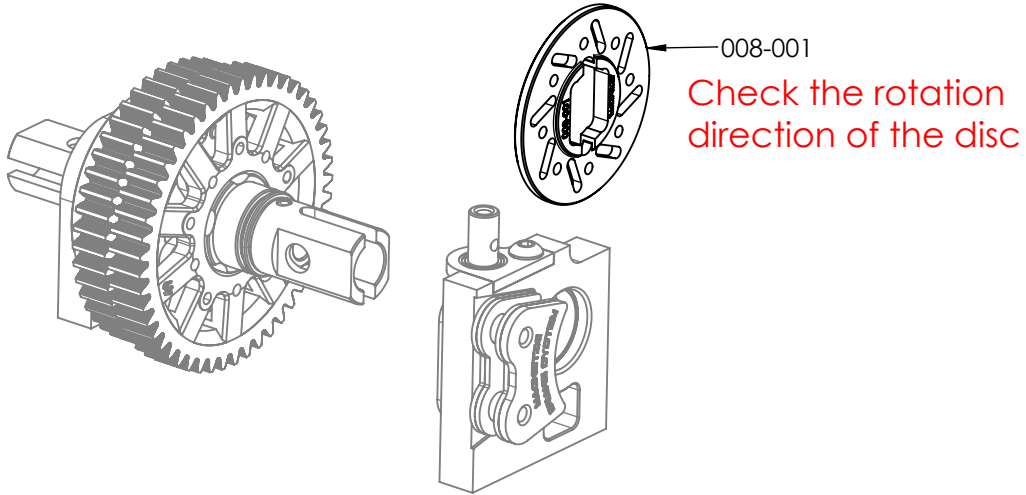




CLUTCH ADJUST







91001
M3x10

100400

90000-1
5x10x4 ZZ

8904
3x6x0.1

200004

200056-18
18T

200056-14
14T

90000-1
5x10x4 ZZ

03214-10

91000
M3X14

00174-1

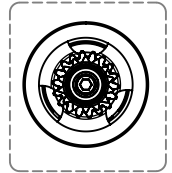
03214-8

00174-3

00174-4

03390

03214-9



NOT INCLUDED

100435

98012
M4x4

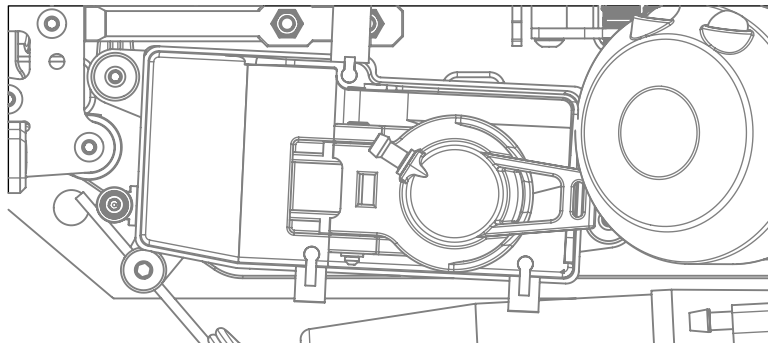
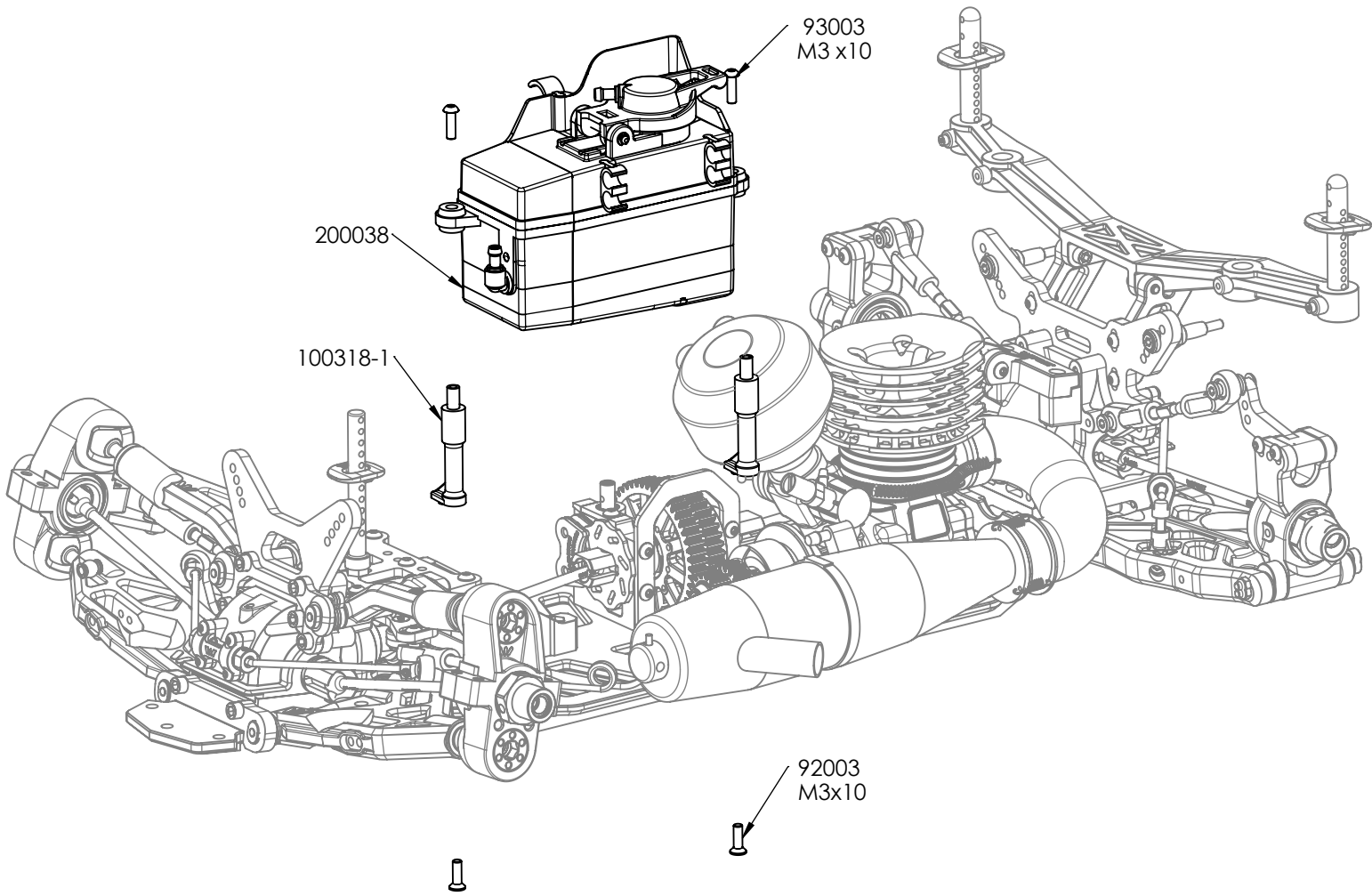
00129

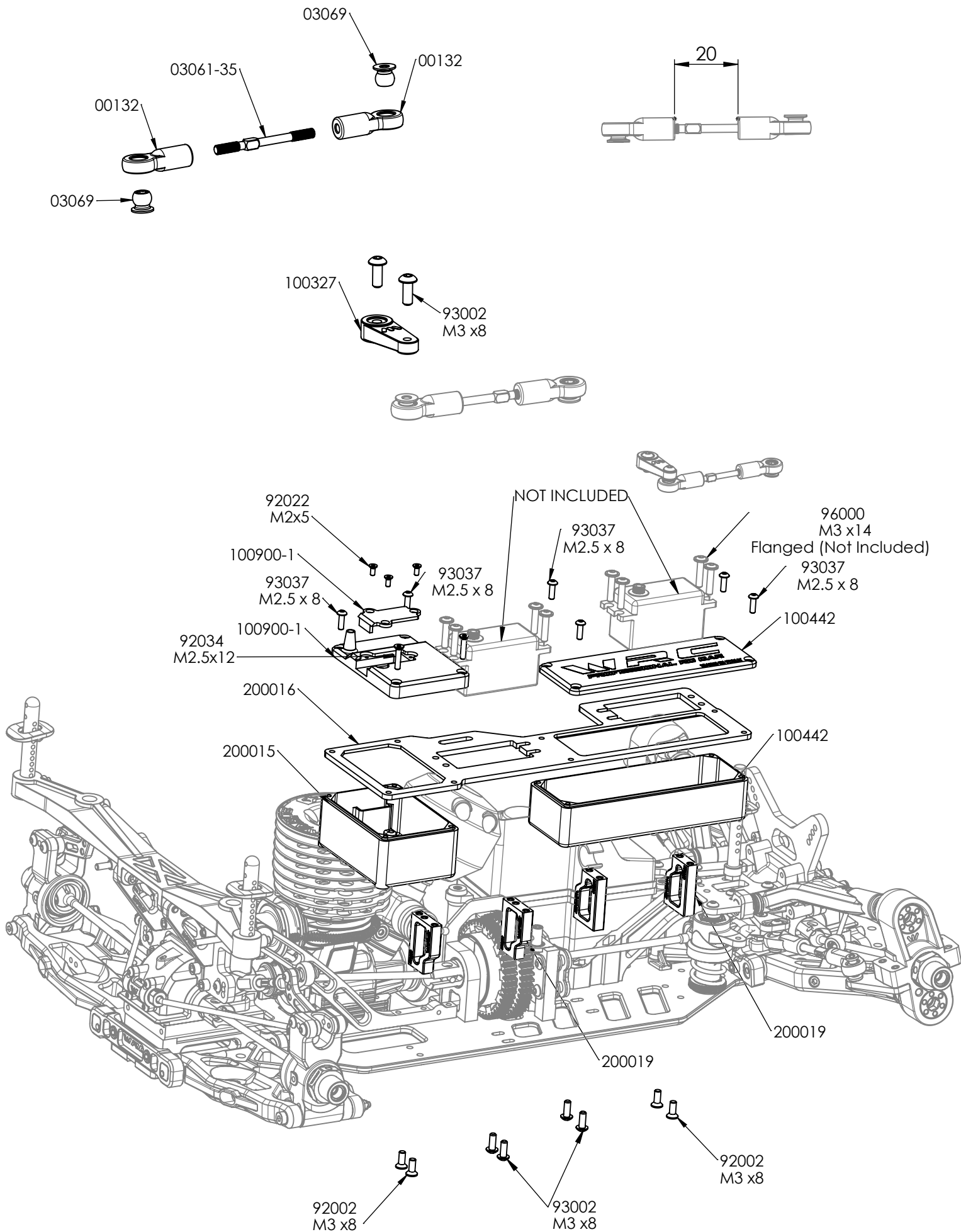
200064

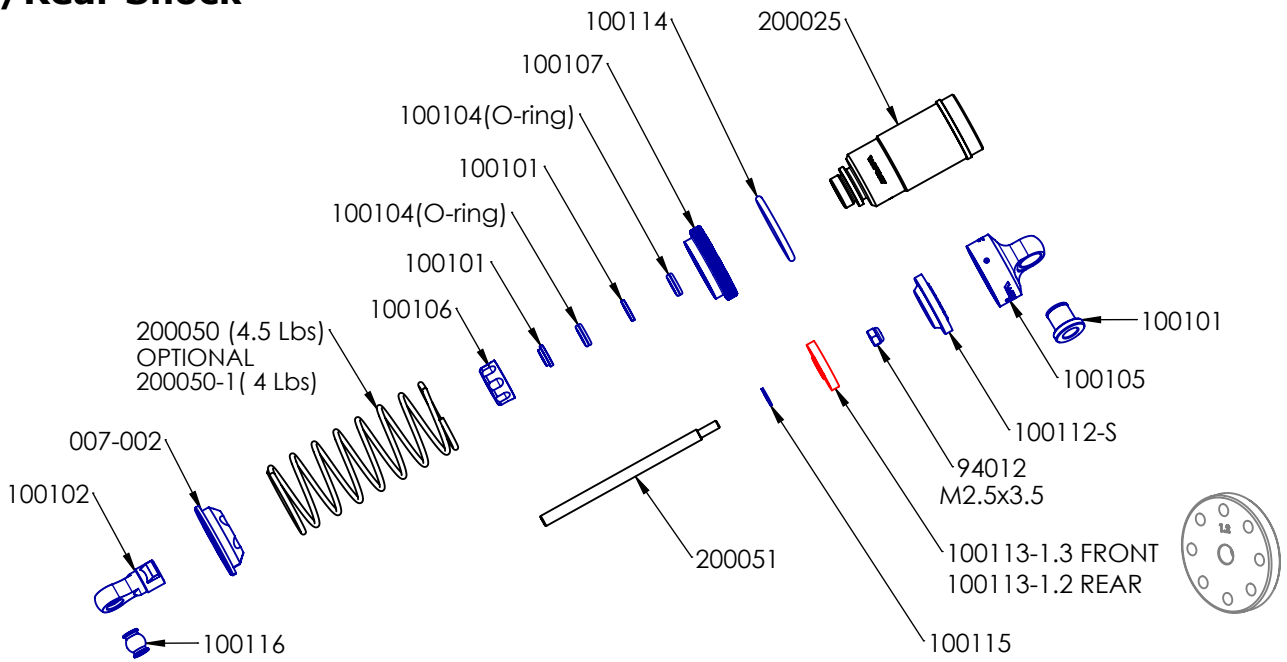
92001
M3 x6

92020
M4 x 8

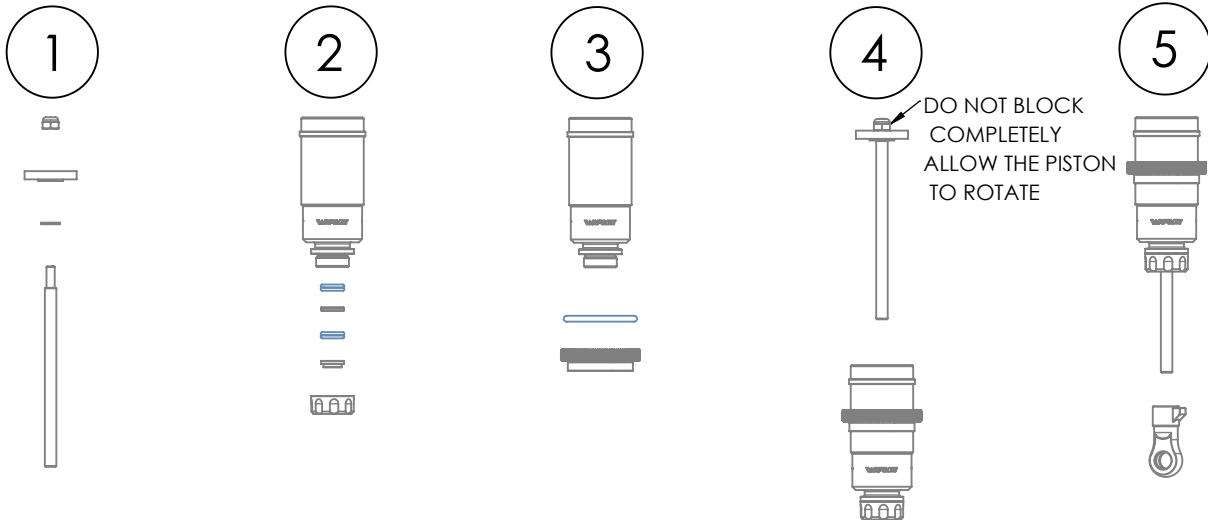
96001
M4 x 10







Assembly 4 set



6



SHOCK FILLING

Fully extend the piston rod so the piston is at the bottom of the shock body.

Hold the shock upright and fill the shock body with shock oil as in the picture.

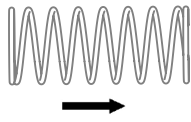
Let the oil settle and allow air bubbles to rise to the top. Slowly move the piston up and down until no more air bubbles appear. Add shock oil as necessary.

Pull the piston rod most of the way out of the shock bod. Let the shock rest for 5 minutes to allow the air bubbles to scape.



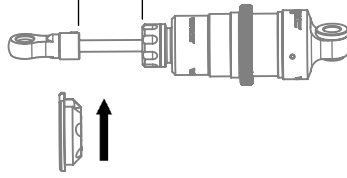
P- ONE SHOCKS OIL	
CODE	CST
SO-400	400
SO-500	500
SO-600	600
SO-700	700
SO-800	800
SO-1000	1000 (IN KIT)

7



Set distance

27

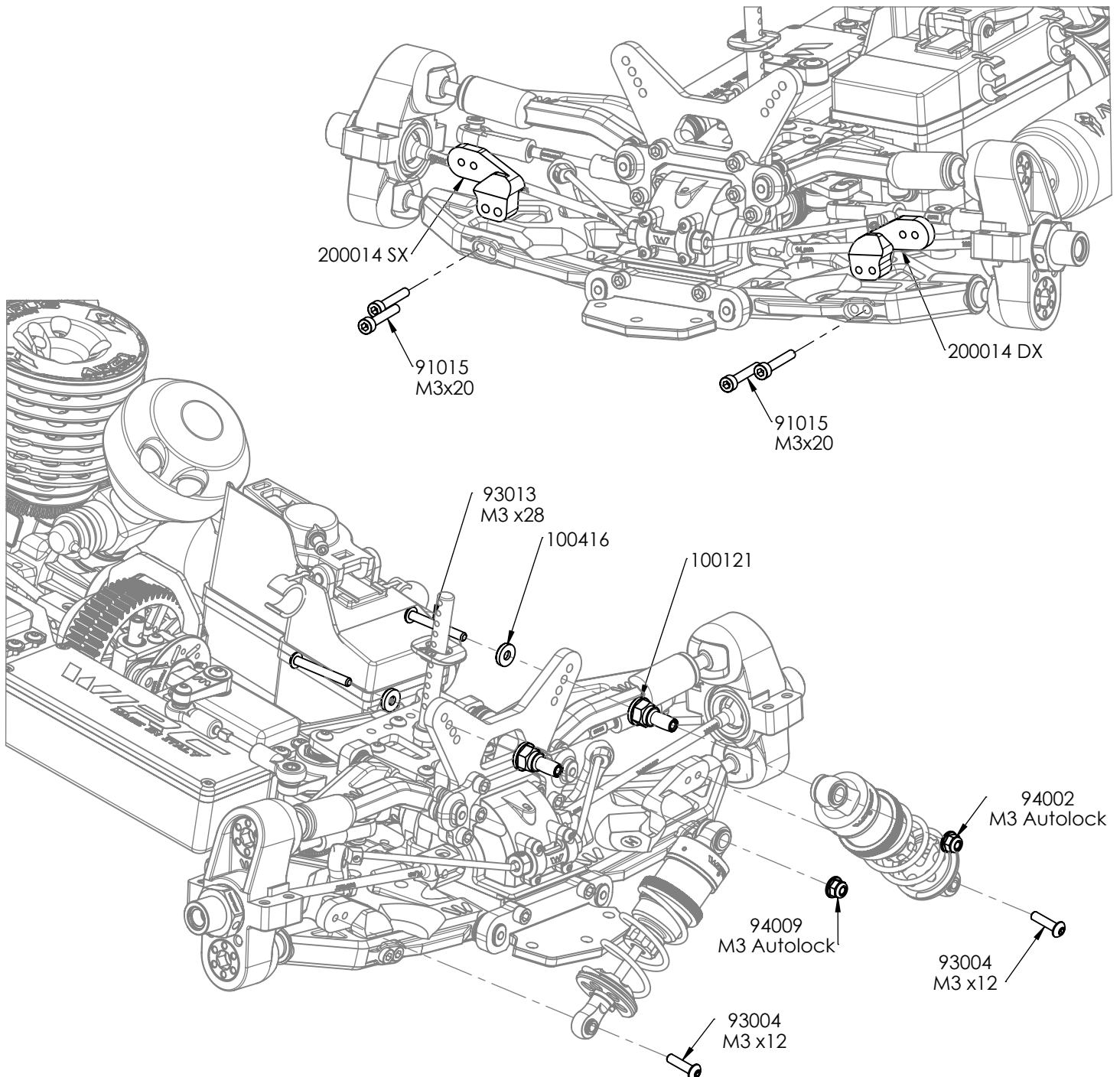


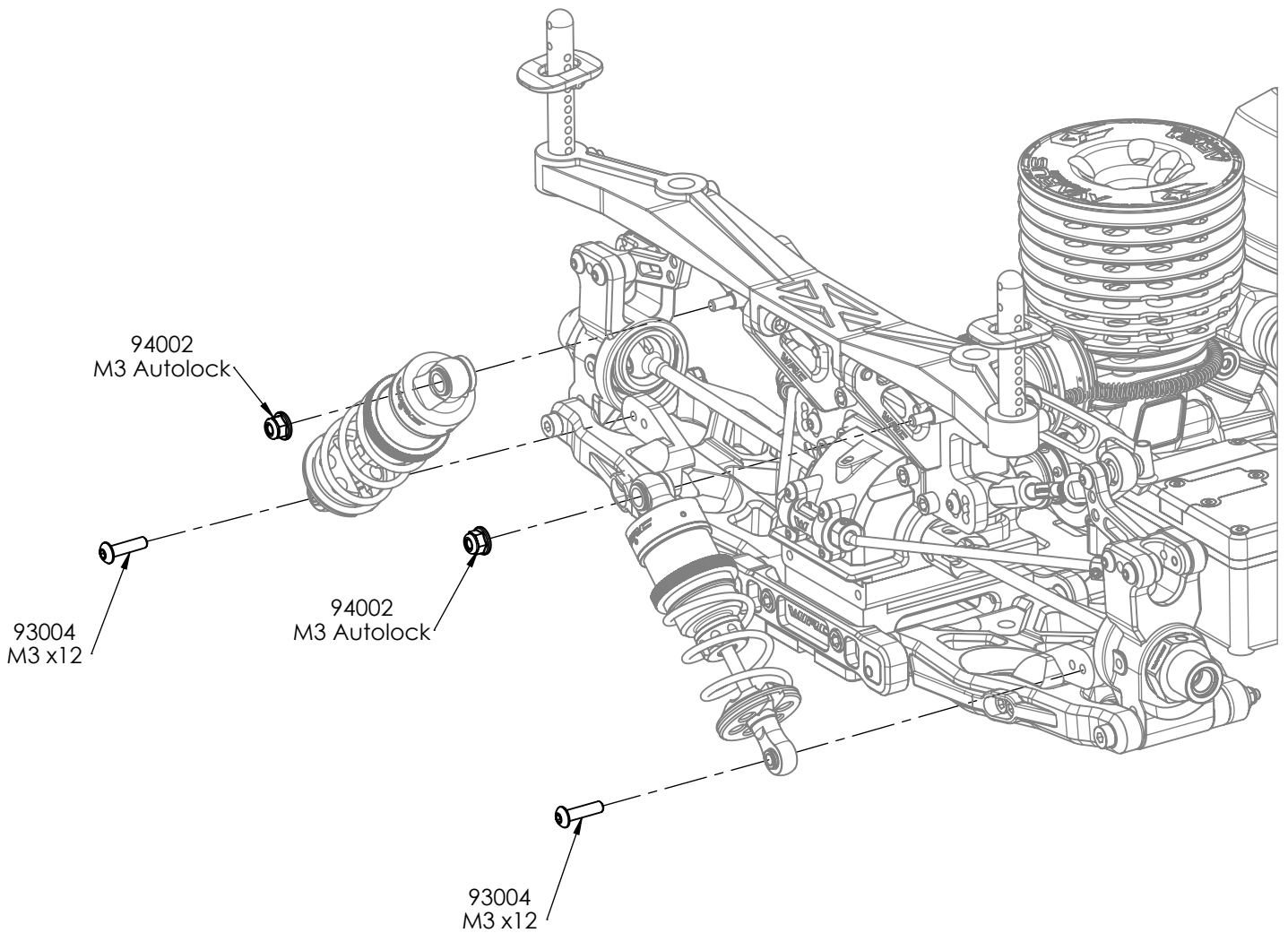
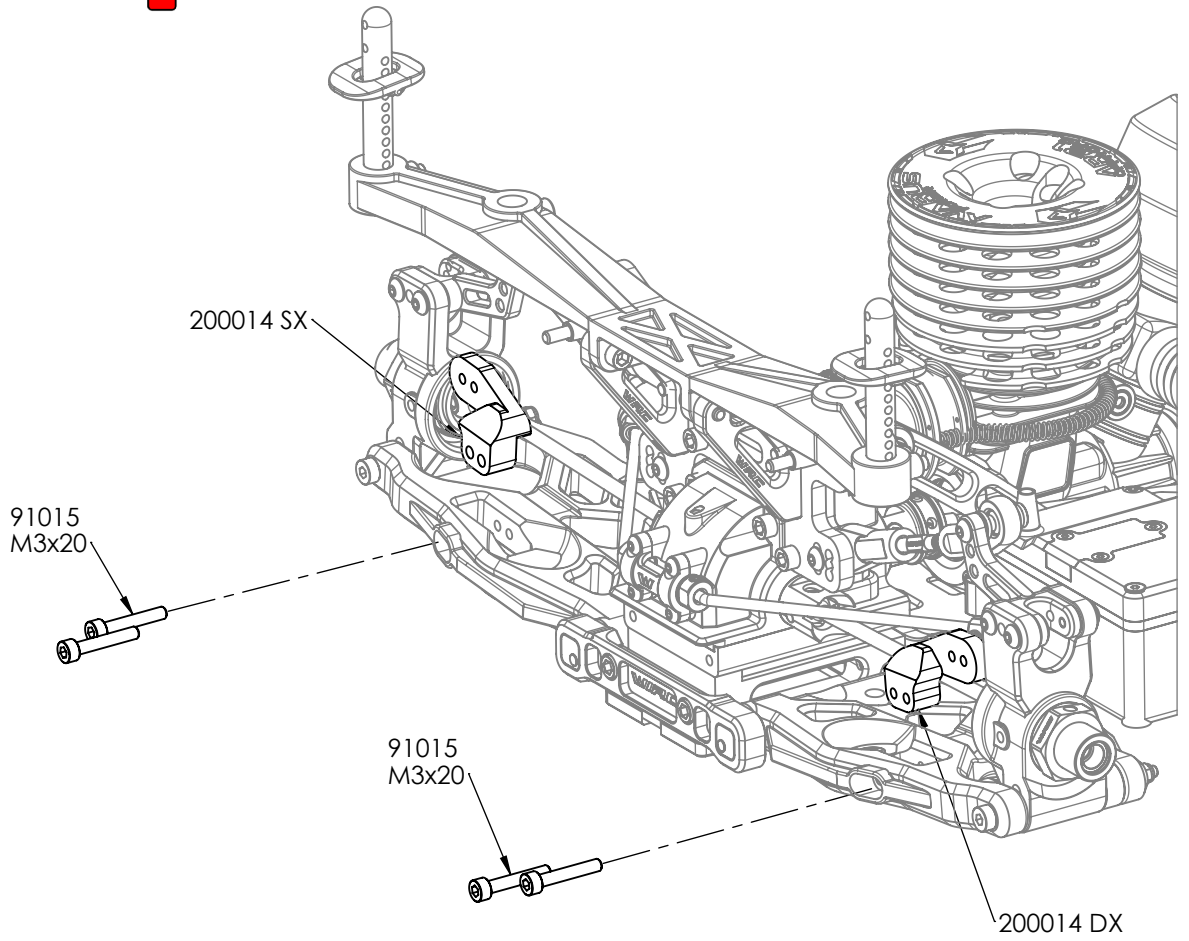
8

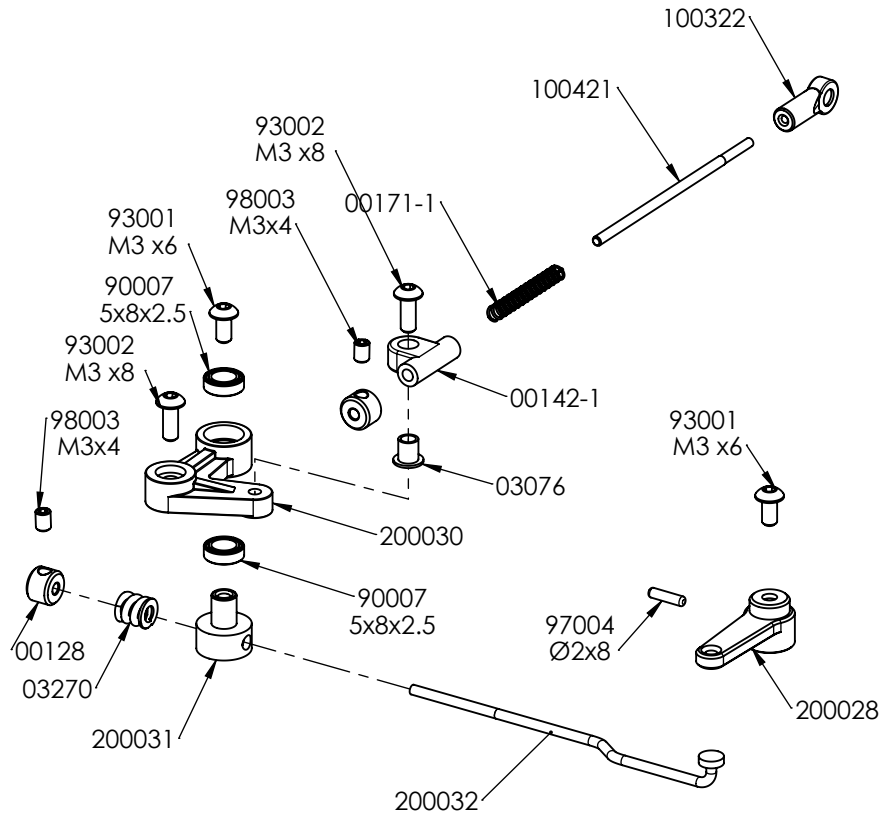
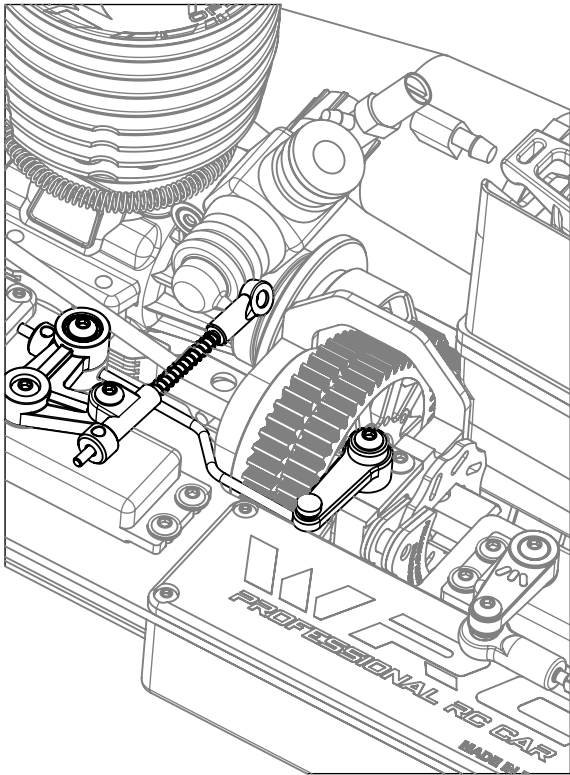


100101

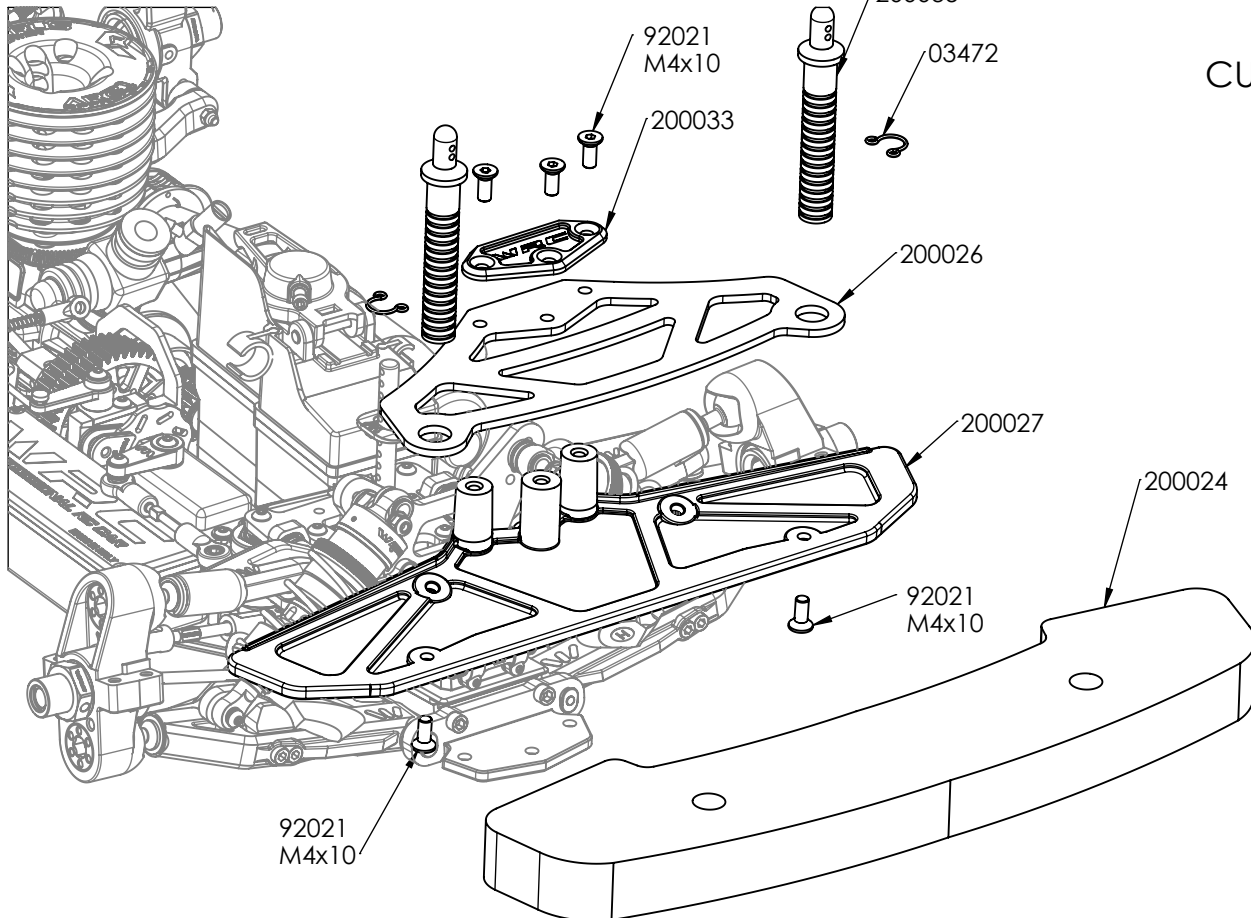
100116



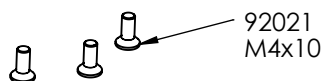
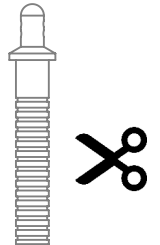


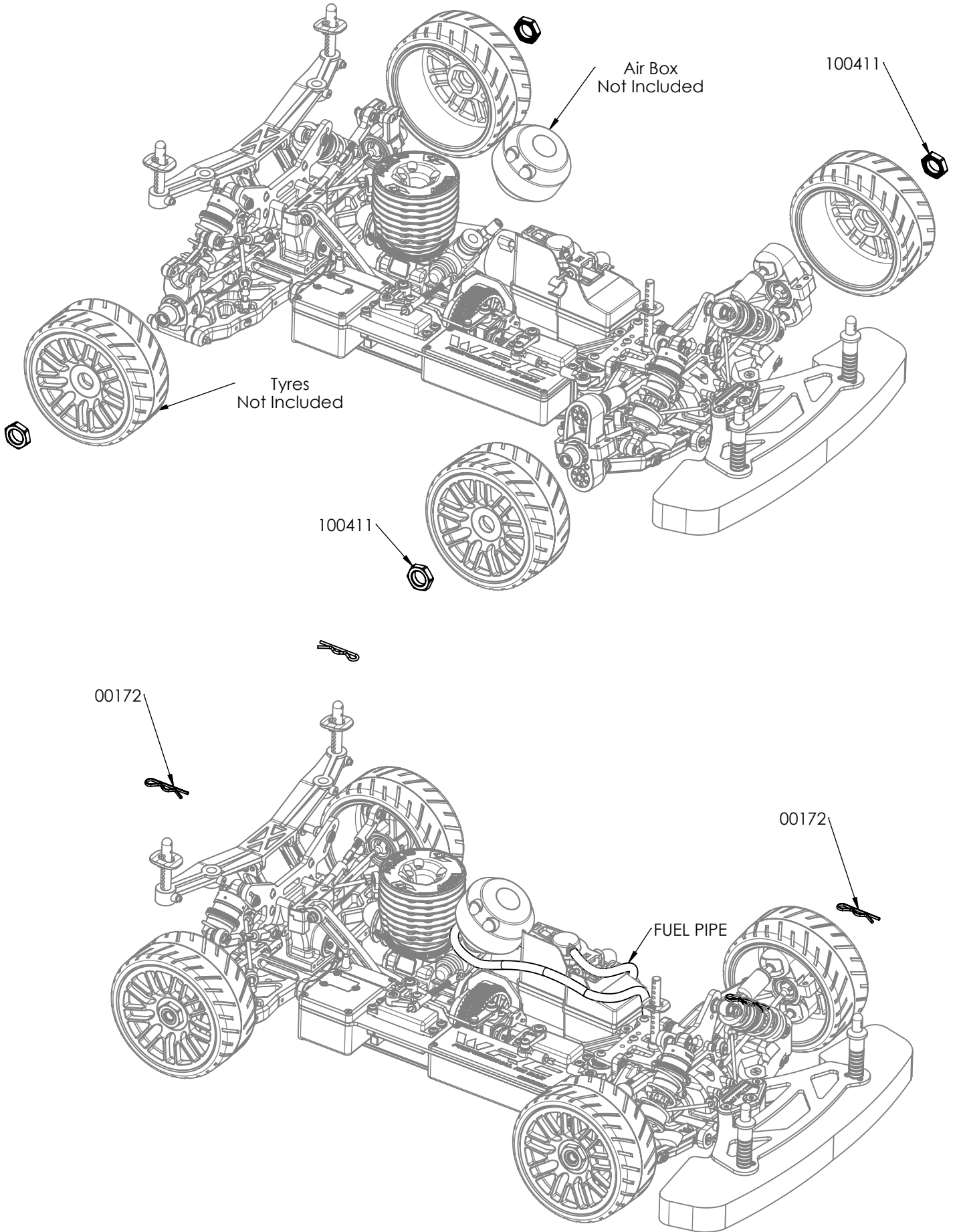


Front Bumper



CUT TO SIZE



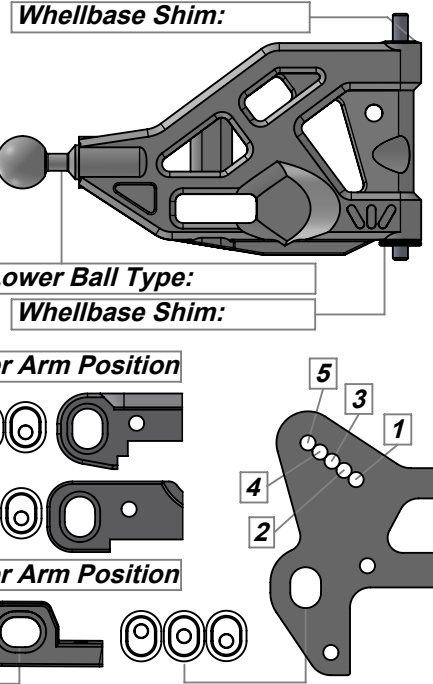
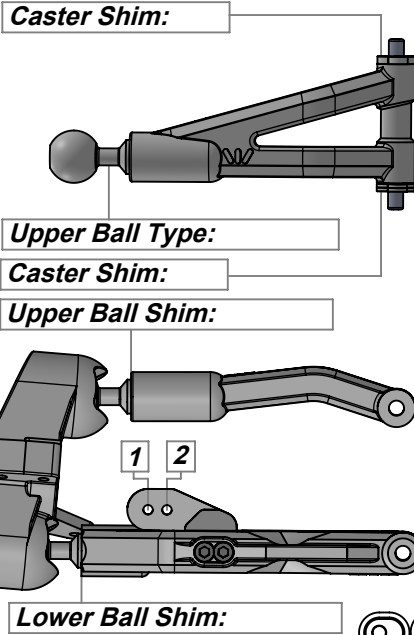
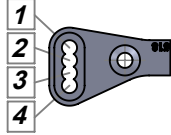
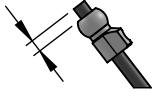


Driver: _____
Date: _____

Track: _____
Event: _____

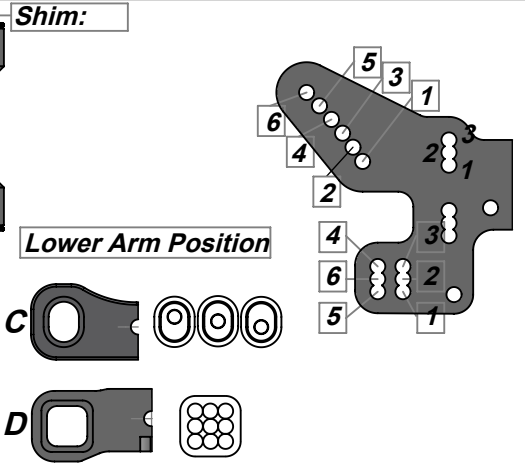
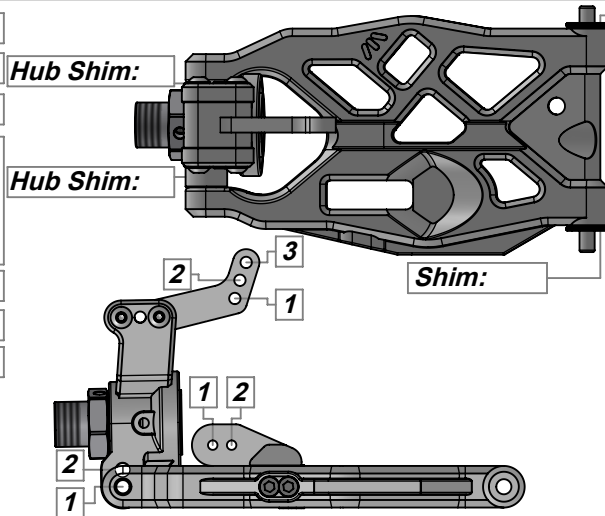
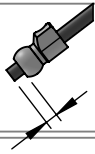
Front Suspension:

Ride Height: _____
Camber: _____
Toe: _____
Anti-Roll Bar
Size: _____
Gap: _____
Ackerman
1
2
3
4
Drive Shaft: _____
Chassie Brace: _____
Hex: _____



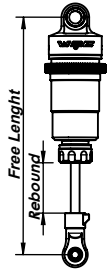
Rear Suspension:

Ride Height: _____
Camber: _____
Toe: _____
Anti-Roll Bar
Size: _____
Gap: _____
Drive Shaft: _____
Chassie Brace: _____
Hex: _____



Shocks:

	Front	Rear
Piston:		
Membrane:		
Oil:		
Spring:		
Rebound:		
Free Length:		



Differential:

	Front	Rear
Case Mat.:		
Oil:		
Crown Gear:		
Gearing :		
Clutch Belt:		
Shoe:		
Spring:		

Pinion and spur gear:

	1ST	2ND
Pinion:		
Spure gear:		
Tracks:		
Size :		Type:
Traction:		
Surface:		

Engine:

	Front	Rear
Type:		
Muffler:		
Manifold:		
Plug:		
Fuel:		

Body, Wing:

Body:	
Wing:	
Manifold:	
Wing Height:	
Gap to tower:	

Tires:

	Front	Rear
Brand:		
Pattern:		
Insert:		
Whells:		
Compound:		

Note: _____

Tot. Car Weight: _____

WIRC
PROFESSIONAL RC CAR

WWW.WIRCRACING.COM